

UNMATCHED PERFORMANCE



# CARRY SET ROUND TYPE CS-SERIES

## HEAVY-DUTY ANTI-VIBRATION ROUND TYPE CS SERIES

- No longer need to fix machines with anchor bolt
- Move, use and change layout with ease, just like stationary.



- 12 stabilizing pads to enhance anti-vibration quality.
- Easy to move with built-in ball or caster.
- Cross handles level heavy equipment with ease.
- Fine leveling made simple with large diameter nut.



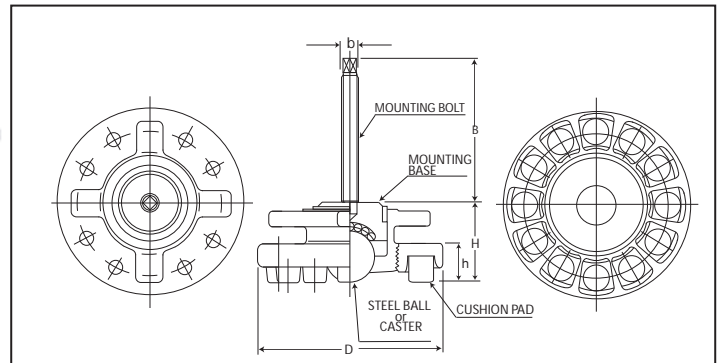
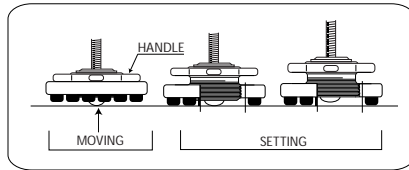
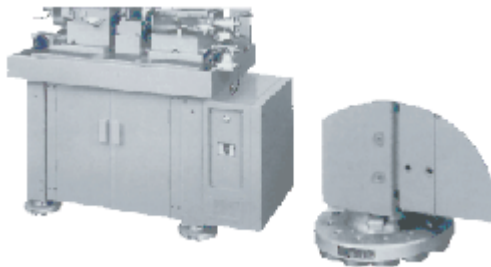
CS-12



CS-18

CS-2

CS-6



Model	Max. kg/ unit	D	H	h	Mounting Base	B	b	Range of level adjustment	Transition installation
CS-2	200 kg 440 lbs	138 mm 5.43"	57 mm 2.24"	29 mm 1.14"	44 mm 1.73"	95mm (190mm)* 3.74" (7.48")*	M12 P1.75	12 mm 0.472"	Steel ball (dia.38)
CS-6	600 kg 1322 lbs	167 mm 6.57"	63 mm 2.48"	33 mm 1.29"	54 mm 2.12"	105mm (190mm)* 4.13" (7.48")*	M16 P2.0	14 mm 0.551"	Steel ball (dia.41)
CS-12	1,200 kg 2645 lbs	210 mm 8.26"	68 mm 2.67"	38 mm 1.49"	90 mm 3.54"	110mm (186mm)* 4.33" (7.32")*	M18 P2.5	20 mm 0.787"	Caster (dia.45/W24)
CS-18	1,800 kg 3968 lbs	260 mm 10.2"	80 mm 3.14"	42 mm 1.65"	110 mm 4.33"	115mm (186mm)* 4.52" (7.32")*	M20 P2.5	22 mm 0.866"	Caster (dia.65/W40)

Materials					Attachment Method	
Frame	Roller Adjustment	Cushion Pad	Steel Ball	Wheels	Mounting Bolt	Thread Mounting Bolt Through Anchor Bolt
F C 2 5	F C 2 5	N B R	S U J 2	S S 4 1	S S 4 1	

An industry leader in pressroom automation for more than 30 years, Oriimec provides robots, transfer systems, coil handling equipment and straightener/feeder combination units to customers worldwide. Manufactured in Japan, the Orii line of equipment is engineered to meet the specific needs of each of our customers. All Orii products sold in the U.S. are paired with expert service and technical support from our Erlanger, KY office.



Oriimec Corporation of America  
1840 Airport Exchange Blvd. #200  
Erlanger, KY 41018  
U.S.A

Phone:  
888.746.3320 (toll free)

Tel: 859.746.3318  
Fax: 859.746.3319  
Email: info@oriimec.com  
Website: www.oriimec.com

THE SOLUTIONS LEADER IN THE METAL AND WIRE FORMING INDUSTRIES